

HARDWARE SPECIFICATIONS



FEATURES

- REAL-TIME LED STATION STATUS INDICATOR LIGHTS
- SUPPORTS EITHER NACS (J3400) OR J1772 CONNECTORS
- ISO 15693, ISO 14443, AND NFC CAPABLE
- ISO 15118 SUPPORTED BY HARDWARE
- BUILT-IN GFCI PROTECTION WITH AUTO RETRY
- PLUG-OUT DETECTION WITH POWER TERMINATED PER SAE J1772 SPECIFICATIONS
- INTEGRATED POWER MEASUREMENT WITH +/- 2% ACCURACY - CTEP & NTEP
- INTEGRATED 4G LTE CELLULAR MODEM
- OCPP 2.0.1 COMPATIBLE
- 24/7/365 DRIVER AND STATION OWNER SUPPORT

REGULATORY APPROVALS

- cULus LISTED
- COMPLIES WITH UL2594, UL2231-1, UL2231-2, AND NEC® 625
- ENERGY STAR® CERTIFIED
- FCC PART 15 CLASS B
- NTEP

MOUNTING & ENCLOSURE

- NEMA® 3R ENCLOSURE
- WALL OR PEDESTAL MOUNT

ELECTRICAL

- SINGLE PHASE 208 V~ OR 240 V~, 60 Hz
- 50 A MAX INPUT CURRENT PER PORT
 - UP TO 70 A BRANCH CIRCUIT PER PORT*
 - UP TO 12 KW OUTPUT POWER @ 240 V~ PER PORT
 - UP TO 10.4 KW OUTPUT POWER @ 208 V~ PER PORT
- STATION SURGE PROTECTION: 6 KV AT 3 KA

ENVIRONMENT

- OPERATING TEMPERATURE: -40°F TO 122°F (-40°C TO 50°C)
- STORAGE TEMPERATURE: -40°F TO 140°F (-40°C TO 60°C)
- OPERATING HUMIDITY: UP TO 95% AT 122°F (50°C) NON-CONDENSING
- NON-OPERATING HUMIDITY: UP TO 95% AT 122°F (50°C) NON-CONDENSING

ADDITIONAL RESOURCES

CPF50 DATASHEET:
<https://docs.chargepoint.com/ref-docs-sec/content/pdfs/2-ac/cpf50/cpf50-fleet-ds.pdf>

CPF50 SITE DESIGN GUIDE:
<https://docs.chargepoint.com/ref-docs-sec/content/pdfs/2-ac/cpf50/cpf50-sdg.pdf>

INSTALLATION GUIDES AVAILABLE TO CERTIFIED INSTALLERS:
<https://www.chargepoint.com/partners/training-certification>

QUOTATION/PRICING REQUESTS:
CONTRACTORS TO CONTACT ELECTRICAL DISTRIBUTORS.

OTHER INQUIRIES:
CONTACT CHARGEPOINT DIRECTLY VIA EMAIL AT SPECIFICATIONS@CHARGEPOINT.COM
OR VISIT CHARGEPOINT'S HOMEPAGE AT [HTTPS://WWW.CHARGEPOINT.COM#CHPT](https://www.chargepoint.com)

SOFTWARE & SERVICES

CHARGEPOINT CLOUD PLANS

ALL CPF50 STATIONS REQUIRE AN ACTIVE CHARGEPOINT CLOUD PLAN. A POWER, COMMUNITY OR ESSENTIAL CLOUD PLAN IS REQUIRED PER CHARGING PORT.

ADDITIONAL SOFTWARE OPTIONS AVAILABLE FOR FLEETS. CONTACT YOUR CHARGEPOINT REPRESENTATIVE FOR MORE INFORMATION.

POWER PLAN

CPCLD-POWER-n*
RECOMMENDED FOR ACCESS-CONTROLLED LOTS (E.G. ELECTRIFIED FLEETS, AUTO DEALERSHIPS, ETC.). PAID CHARGING NOT SUPPORTED.

*REPLACE "n" WITH DESIRED YEARS OF SERVICE (1, 2, 3, 4, OR 5 YEARS)

FOR INFORMATION ON POWER, COMMUNITY, AND ESSENTIAL CLOUD PLAN FEATURES, SEE TABLE BELOW AND VISIT: <https://www.chargepoint.com/download-file/cp-cloud-plans-comparison-matrix-commercial>

CATEGORY	PLAN FEATURE	POWER	COMMUNITY	ESSENTIAL
GENERAL SUPPORT	4G LTE CELLULAR NETWORK CONNECTION	✓	✓	✓
	BASIC API ACCESS	✓	✓	✓
	24/7 SUPPORT FOR STATION HOSTS & DRIVERS	✓	✓	✓
STATION MANAGEMENT	STATION SOFTWARE UPDATES	✓	✓	✓
	REAL-TIME STATION STATUS	✓	✓	✓
	AGGREGATED REPORTING & ANALYTICS	✓	✓	✓
	USER MANAGEMENT & ADMINISTRATIVE TOOLS	✓	✓	✓
	VALET DASHBOARD	✓	✓	✓
BASIC POWER MANAGEMENT	POWER SHARING AT CIRCUIT, PANEL, & SITE LEVELS	✓	✓	✓
	CABLE SHARING	✓	✓	✓
	FIXED POWER DERATING	✓	✓	✓
	HIERARCHICAL POWER SHARING	✓	✓	✓
	DELAYED CHARGING SCHEDULING	✓	✓	✓
DRIVER MANAGEMENT	DRIVER MOBILE APP & WEB PORTAL		✓	✓
	ACCESS CONTROL		✓	✓
	PRICING CONTROL		✓	✓
	CONNECTIONS		✓	✓
	NOTIFY ME WHEN AVAILABLE		✓	✓
	SHOW STATIONS ON CHARGEPOINT NETWORK MAP		✓	✓
	EV CHARGING NETWORK ROAMING		✓	✓
	TAP TO CHARGE		✓	✓

*STATIONS ON THE ESSENTIAL CLOUD PLAN WILL SHOW UP ON CHARGING MAP AS RESTRICTED ACCESS.

ESSENTIAL PLAN

CPCLD-ESSENTIAL
RECOMMENDED FOR MULTIFAMILY PROPERTIES (OR SIMILAR) WITH ACCESS-CONTROLLED OR SEMI-PUBLIC LOTS

REQUIRES PAID CHARGING
NO UP FRONT COSTS, NO TERM LENGTH

COMMUNITY PLAN

CPCLD-COMMUNITY-n*
RECOMMENDED FOR MULTIFAMILY PROPERTIES (OR SIMILAR) WITH SHARED CHARGING SPACES.

INSTALLATION & ACTIVATION

INSTALLATION REQUIRED

INSTALLATION TO BE COMPLETED BY AN ENTITY HOLDING THE CPF50 INSTALLATION MICROCREDENTIAL* FROM CHARGEPOINT UNIVERSITY.

* CHARGEPOINT RECOMMENDS SELECTING A CHARGEPOINT AC CERTIFIED INSTALLER.

ACTIVATION REQUIRED

- ORDER CODE: **CPF-ACTIVATION**
- REQUIRED FOR ALL CPF50 STATIONS.
- INCLUDES ACTIVATION OF STATIONS BY A CHARGEPOINT REMOTE SERVICES TECHNICIAN.

WARRANTIES

CHARGEPOINT ASSURE®

- ORDER CODE: **CPF-ASSURE-n***
- INCLUDES PARTS COSTS AND LABOR COSTS FOR ISSUES COVERED UNDER WARRANTY
- INCLUDES LABOR AND TRAVEL COVERAGE TO REPAIR ISSUES NOT COVERED UNDER WARRANTY, SUCH AS VANDALISM AND ACCIDENTS.
- INCLUDES COORDINATION FOR SERVICE VISITS BY A CHARGEPOINT TECHNICAL SUPPORT ENGINEER.
- **NOT AVAILABLE WITH ESSENTIAL CLOUD PLAN.**
- VISIT <https://www.chargepoint.com/download-file/chargepoint-assure-brochure-us> FOR MORE INFORMATION

*REPLACE "n" WITH DESIRED YEARS OF SERVICE (1, 2, 3, 4, OR 5 YEARS)

STANDARD WARRANTY

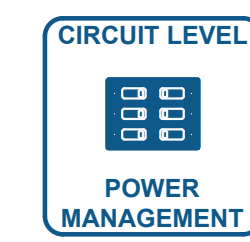
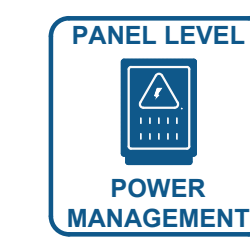
- 2 YEARS, PARTS ONLY; STATION MUST BE INSTALLED BY A CHARGEPOINT CERTIFIED TECHNICIAN.

CHARGEPOINT POWER MANAGEMENT SOFTWARE

HIERARCHICAL POWER MANAGEMENT

- ENABLES OVERSUBSCRIPTION OF TRANSFORMERS, PANELS, AND / OR CIRCUITS BASED ON PROJECT NEEDS.
- ELIMINATES NEED FOR EXTERNAL LOAD MANAGEMENT DEVICES IN UPSTREAM ELECTRICAL INFRASTRUCTURE.
- MEETS STANDARDS SET BY NEC 625.42 FOR LOAD MANAGEMENT

CAN INCLUDE ANY OR ALL OF THE FOLLOWING:



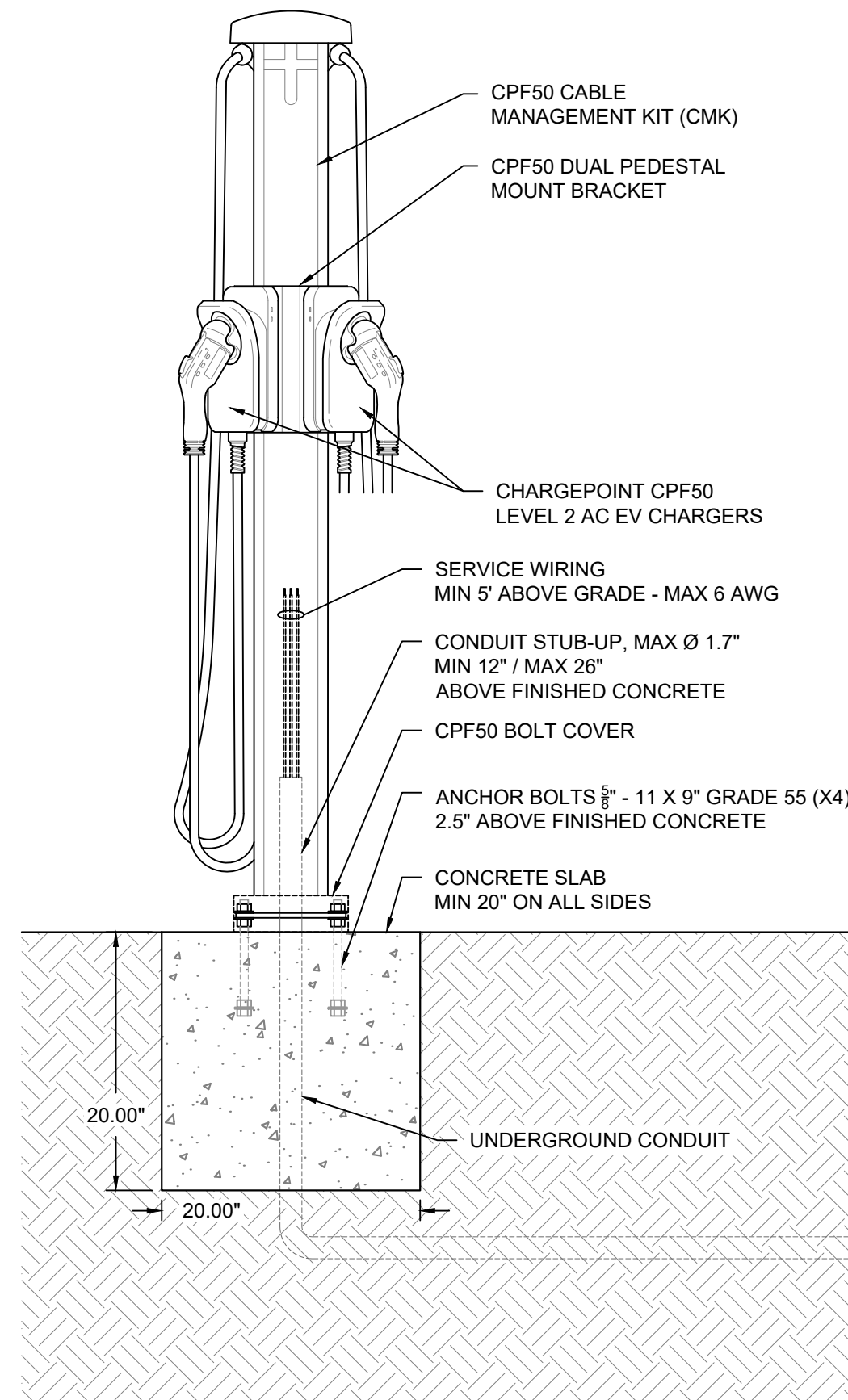
RECOMMENDED EQUIPMENT SIZES

RECOMMENDED SITE TRANSFORMER SIZING WITH SITE-LEVEL POWER MANAGEMENT	
TRANSFORMER RATING (KVA)	MAX QTY OF PORTS
30	9
45	13
75	22
112.5	33
150	45
225	67
300	90
500	150
750	225

RECOMMENDED MAIN BREAKER SIZING WITH PANEL-LEVEL POWER MANAGEMENT			
PANEL VOLTAGE:			208 Y / 120 V
BRANCH CIRCUIT BREAKER (PER PORT):			
MCB RATING (A)	MAX QTY OF PORTS	MAX AMPS PER PORT	MIN AMPS PER PORT
125	10	48 A	16 A
200	17		
225	19		
400	34		
600	51		
800	68		

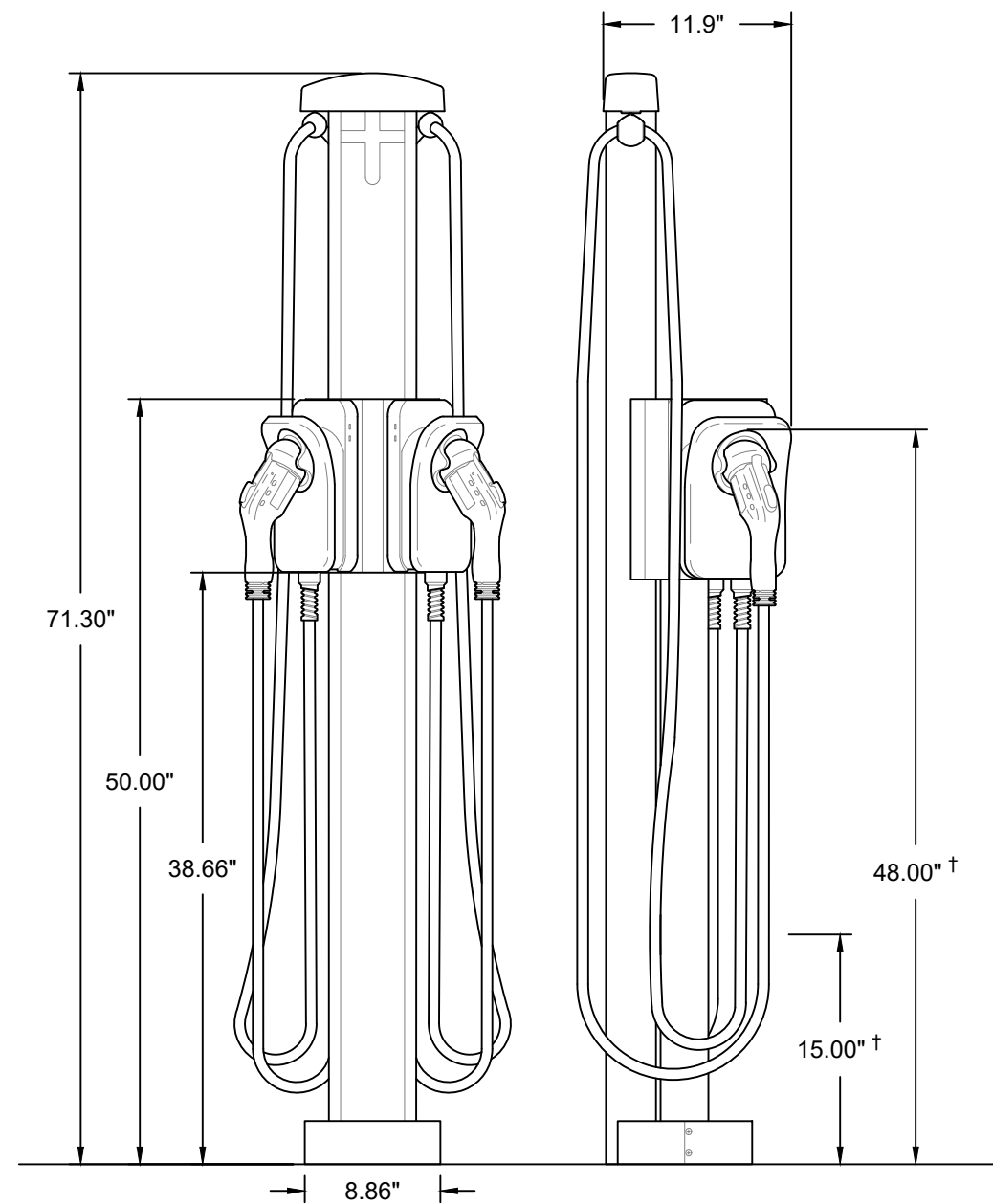
TRANSFORMER AND BREAKER SIZES SHOWN IN ABOVE TABLES ARE RECOMMENDATIONS. AN E.E. AND/OR E.C. TO VERIFY ELECTRICAL SPECIFICATIONS MEET CODE REQUIREMENTS. RECOMMENDATIONS IN ABOVE TABLES MAINTAIN A MINIMUM OUTPUT OF > 3.3 KW PER PORT @ 208 V~.

TECHNICAL DRAWINGS



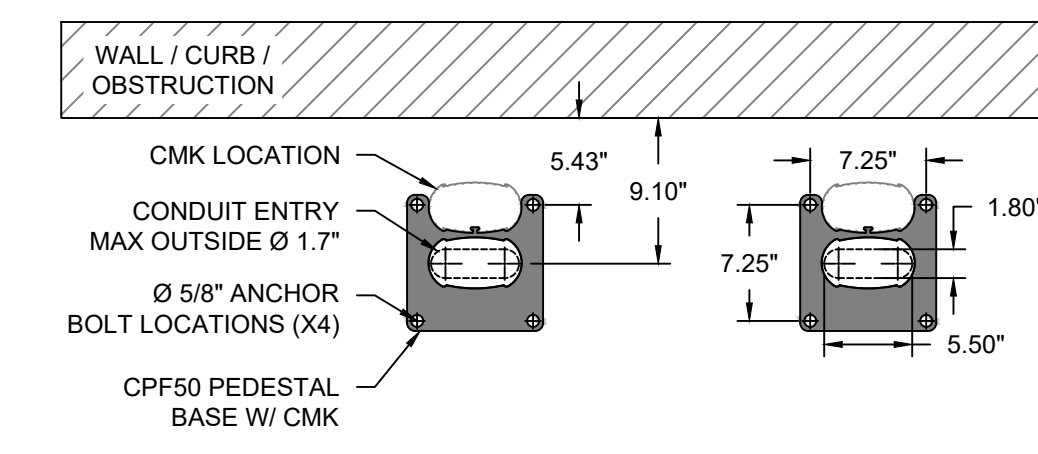
APPROXIMATE STATION WEIGHT
CPF50-L18-PEDMNT-CMK6-DUAL-GW-USA: 96 lb (~44 kg)

1 PEDESTAL MOUNT DETAIL - CONCRETE MOUNTING SECTION
SCALE: 1" = 10"



† OPERABLE PARTS MEET RECOMMENDATIONS FOR AN UNOBSTRUCTED SIDE REACH AS OUTLINED IN "DESIGN RECOMMENDATIONS FOR ACCESSIBLE ELECTRIC VEHICLE CHARGING STATIONS" DATED JULY 17, 2023 BY THE U.S. ACCESS BOARD.

2 PEDESTAL MOUNT ELEVATIONS
SCALE: 1" = 10"

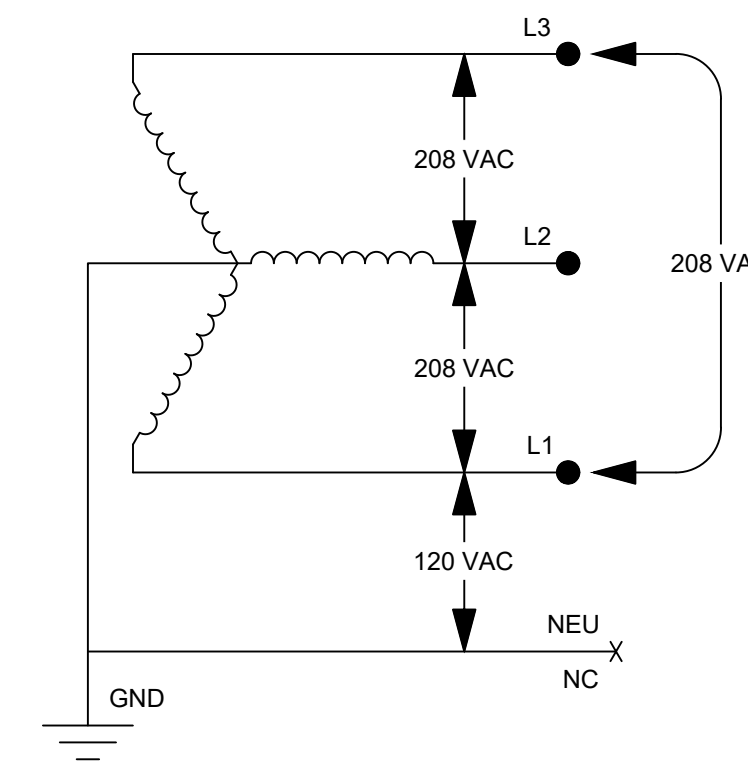


3 PEDESTAL MOUNTING HOLE PATTERN
SCALE: 1" = 10"

WIRING DIAGRAMS

120/208 VAC, 3φ WYE BONDED NEUTRAL

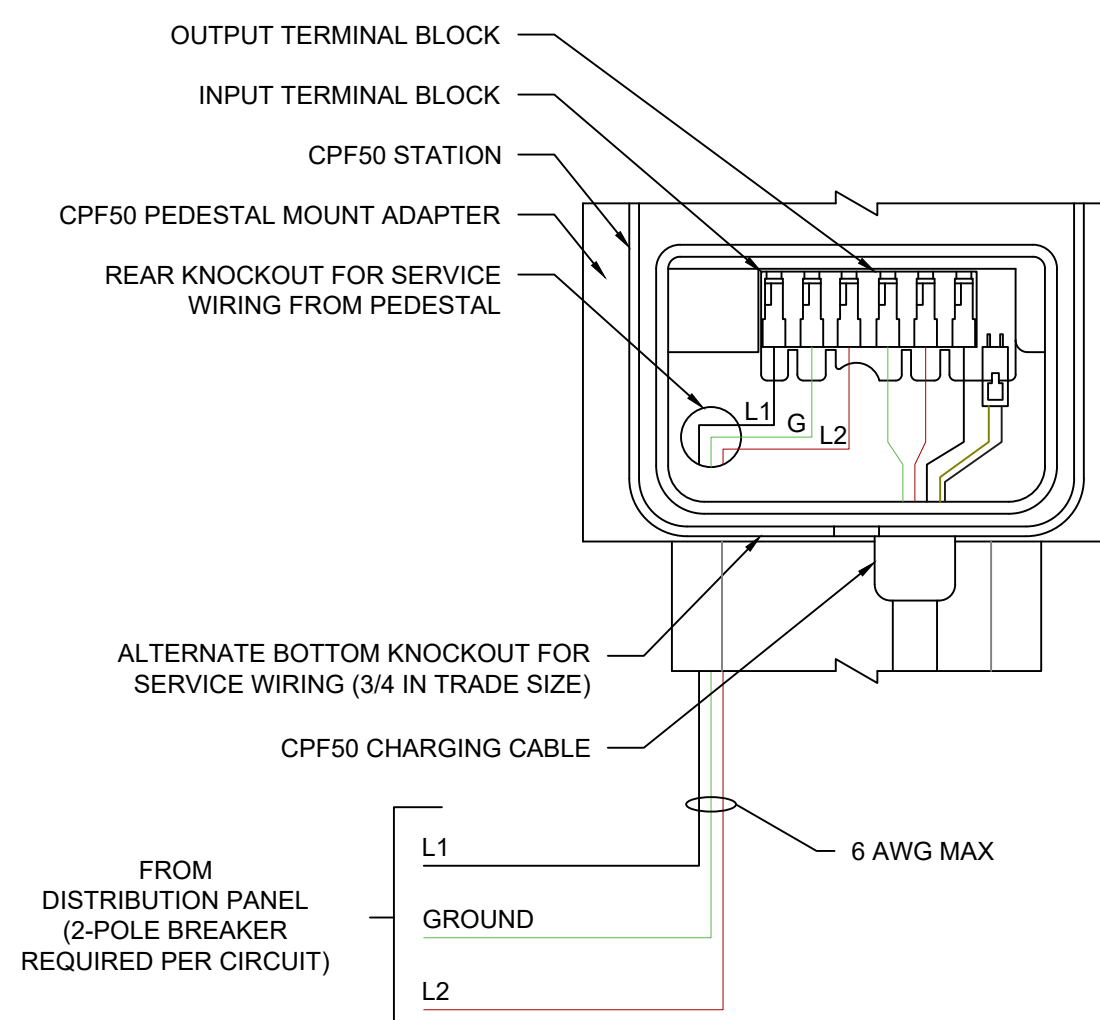
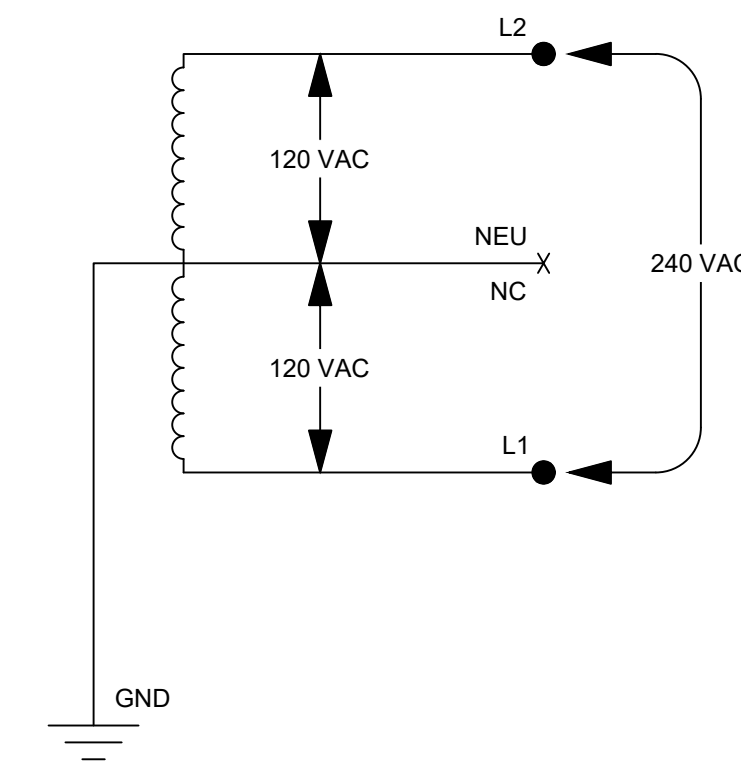
STATION MAY BE CONNECTED TO ANY TWO LINES NEUTRAL IS NOT USED



SUPPORTED ELECTRICAL SYSTEMS

120/240 VAC, 1φ BONDED NEUTRAL

STATION IS CONNECTED TO L1 & L2 NEUTRAL IS NOT USED



CPF50 WIRING DIAGRAM (N.T.S.)

CONCEPT DRAWING
NOT FOR CONSTRUCTION

DRAWING TITLE:
CHARGEPOINT CPF50 EVSE DETAIL

DUAL PEDESTAL MOUNT, J1772 PORT, 18' CABLE, WITH CABLE MANAGEMENT KIT (CMK)

DOCUMENT #: 15105003c
DATE: 08.04.25
DRAWN BY: CMT
SCALE: N.T.S.

SHEET: