

ChargePoint® Home Charging Station

Specifications and Ordering Information

ChargePoint is bringing smart charging to your home with the smallest and most advanced home electric vehicle (EV) charger, offering high charging speed and convenience in an ultra-sleek, beautiful and durable design.

- + Charges every EV and plug-in hybrid EV with a Type 1 or Type 2 connector; tested with Mitsubishi Outlander PHEV, Nissan LEAF, BMW 330e and i83 Rex, Mercedes C350e and GLC350, Tesla Model S, X and 3, Volvo XC90 PHEV, Renault Zoe, Volkswagen e-Golf and many more
- + Attention to detail and quality craftsmanship make Home look great in any garage
- + Slim, compact form factor means Home fits even in crowded spaces
- + Includes hardware needed for mounting, and an online video and install guide make installation fast and easy
- + Backed by a 3-year warranty and 24/7 call centre support
- + The ChargePoint mobile app:
 - Allows you to schedule charging when electricity is cheapest
 - Sends friendly reminders so drivers never forget to plug in their cars
 - Can start and stop charging remotely
 - Shows kilometres added during charging
 - Displays ChargePoint public and home charging, energy use and charging costs



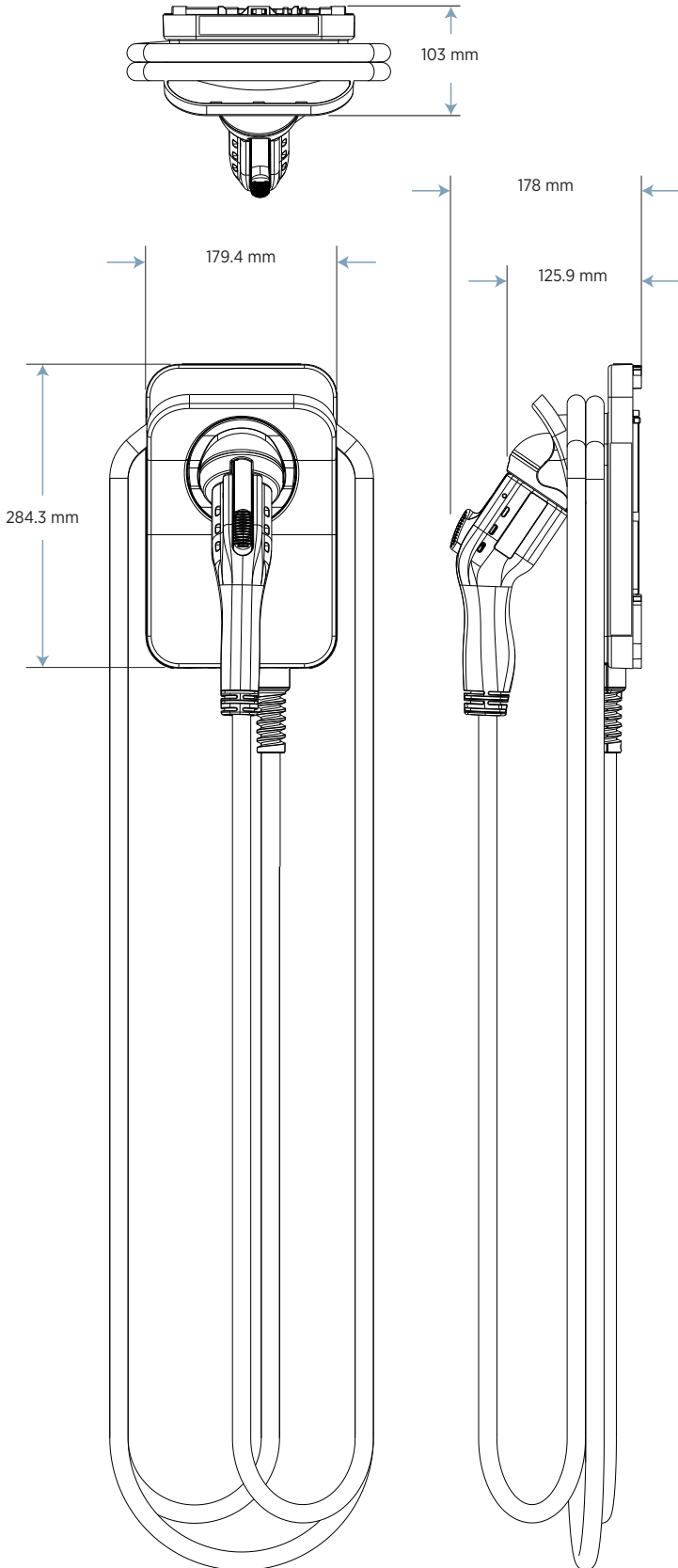
ChargePoint Home
with Type 2 Connector

Ordering Information

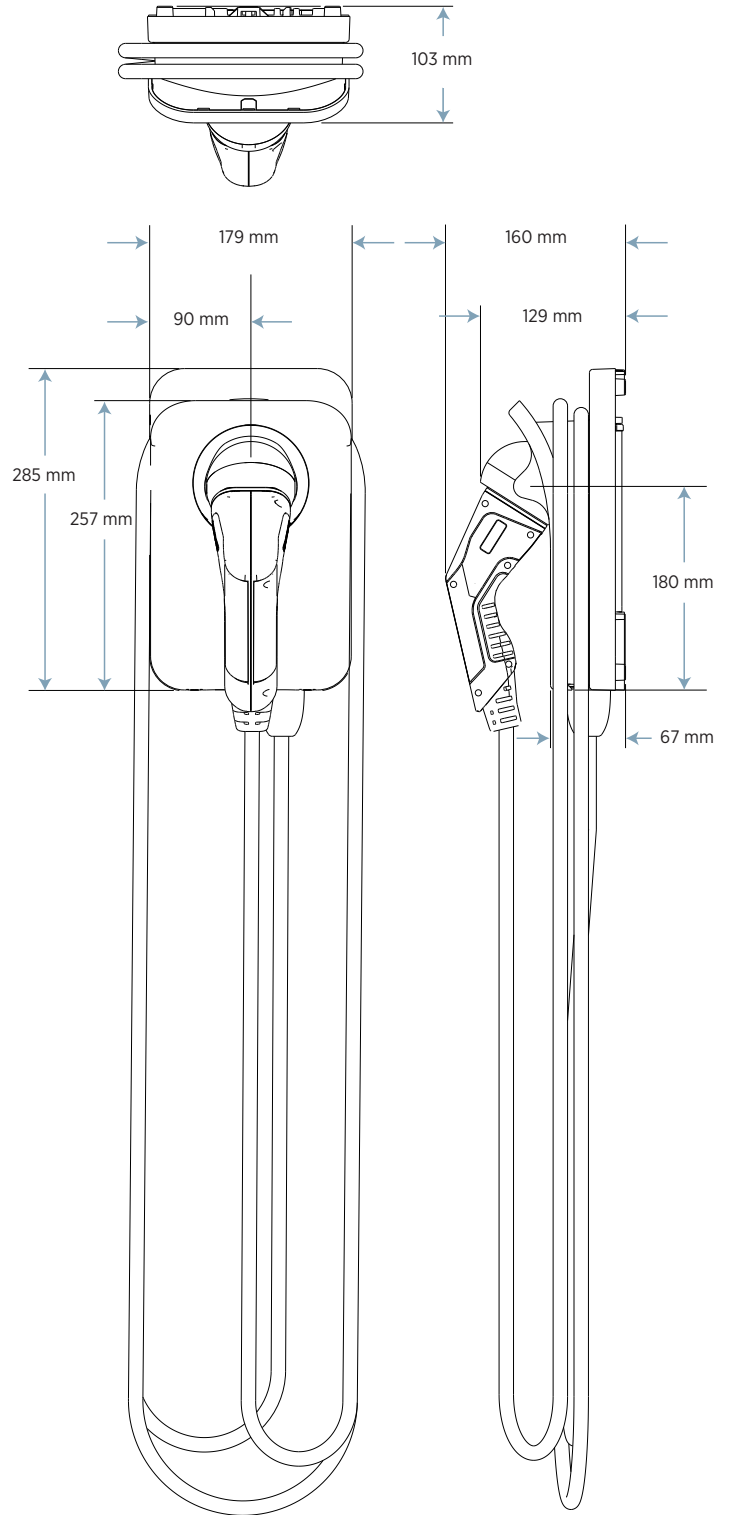
Specify model number followed by the applicable code(s).

Description		Order Code
Model	Hardwire, 32A, Type 1 6,000 mm cord	CPH32-L6-T1
	Hardwire, 32A, Type 2 6,000 mm cord	CPH32-L6-T2
	Hardwire, 32A, Type 1 8,000 mm cord	CPH32-L8-T1
	Hardwire, 32A, Type 2 8,000 mm cord	CPH32-L8-T2

Home Type 1 CPH32-LX-T1



Home Type 2 CPH32-LX-T2



Specifications

Connector and Electrical

AC Power Output Rating	230V AC 50 Hz single phase @ 32A Default output power: 3.7 kW (230V AC @ 16A) Configurable with the mobile app: Up to 7.4 kW (230V AC @ 32A)
AC Power Input Rating	208–240V AC 50/60 Hz single phase @ 32A
Required Service Panel Breaker	16, 20, 24 or 32A breaker
Service Panel RCD	30 mA service panel residual current detection is required. Consult an electrician to ensure that the installation meets local regulations.
Power Wiring	3 wire - line, neutral plus protective earth
Charging Cord Lengths and Amperages	6,000 mm 32A, 8,000 mm 32A
Connector Type	Type 1 IEC 62196-2 or Type 2 IEC 62196-2
Power Measurement Accuracy	+/- 1.0% from 1% to full scale (32A)
Power Report/Store Interval	15 minute aligned to hour

Safety and Connectivity Features

Open Safety Ground Detection	Continuously monitors presence of protective earth connection
Plug-Out Detection	Power terminated as per IEC61851 specifications
Local Area Network	2.4/5 GHz WiFi (802.11 a/b/g/n)

Safety and Operational Ratings

Enclosure Ratings	IP44
Safety and Compliance	IEC 61851-1 (2010), IEC 61851-22 (2001), LVD 2014/35/EU
EMI Compliance	EMCD 2014/30/EU, RED 2014/53/EU
Storage Temperature	-40°C to 60°C ambient
Operating Temperature	-30°C to 50°C ambient
Operating Humidity	Up to 85% at 50°C non-condensing
Non-Operating Humidity	Up to 95% at 50°C non-condensing

Indicators

WiFi LED	Yes
Fault Indicator	Yes
Status LED	Yes


Installation

Install Option	Professional Installation Needed
Install Software	ChargePoint Mobile App

ChargePoint, Inc. reserves the right to alter product offerings and specifications at any time without notice, and is not responsible for typographical or graphical errors that may appear in this document.

Contact Us

 Visit chargepoint.com

 Email sales.eu@chargepoint.com