

CT2100 Family

ChargePoint® Networked Charging Stations

ChargePoint® networked charging stations offer municipalities, corporations, fleets, and utilities, high-reliability, plug-in electric vehicle charging that drivers prefer. The easy-to-use stations provide multiple power options, integrating aesthetics and ergonomics with sturdy construction—ideal for residential, commercial and outdoor public applications.

The CT2100 family of charging stations are dual output stations designed for public outdoor applications for the North American marketplace. The 7.2 kW output delivers Level 2 (208/240 V @ 30 A) charging via a standard SAE J1772™ connector and fixed 18-foot cord. The 2 kW output delivers Level 1 (120 V @ 16 A) charging via a standard NEMA 5-20 receptacle protected behind a locking door. Both outputs can deliver energy simultaneously.

To eliminate energy theft and to enhance safety, drivers access and energize the station with a ChargePoint card, ChargePoint mobile app, or contactless credit card. The station's highly visible display guides drivers with instructive messages and can be used to display custom advertisement or greetings for drivers.

Software Application Services

Set pricing and collect fees, provide 24/7 driver assistance, control access, display advertisements, track usage, and diagnose the station remotely using the growing suite of ChargePoint Network on-demand software applications and a web browser.

Smart Card Reader

Provide optional driver billing and custom access control, preventing electricity theft and enhancing safety, with an integrated standards-based RFID reader that accepts ChargePoint cards, and contactless credit cards.

Intelligent Power Control

Ensure power is delivered only when a driver is authorized and the EV cord is properly inserted.

Locking Door

Protects power insertion point and retains the EV charging cord to prevent theft during charging.

Vacuum Florescent Display with Multiple Language Support

Display instructive, advertisement, and greeting messages in many languages on the bright, easy-to-read display.

Integrated Fault Detection

- + Ground Fault Detection: Integrated ground-fault detection circuitry with auto retry and driver notification.
- + Over-Current Detection: Disconnects power to prevent nuisance breaker trips at service panel. Auto retry and driver notification.
- + Plug-Out Detection: Algorithm disengages power and notifies the driver when a plug is removed.

Over-the-Air Station Upgrade

ChargePoint keeps your charging station current with future and evolving EV needs by upgrading station firmware remotely over-the-air.

Utility Grade Energy Meter

Provide accurate bi-directional energy measurement with integrated power metering circuitry.

Remote Diagnostics and Control

Minimize the need for on-site maintenance with real-time remote alarm monitoring and control.

Network Interface

Wireless and cellular network interfaces allow seamless integration with the ChargePoint Network and ChargePoint Network application services.

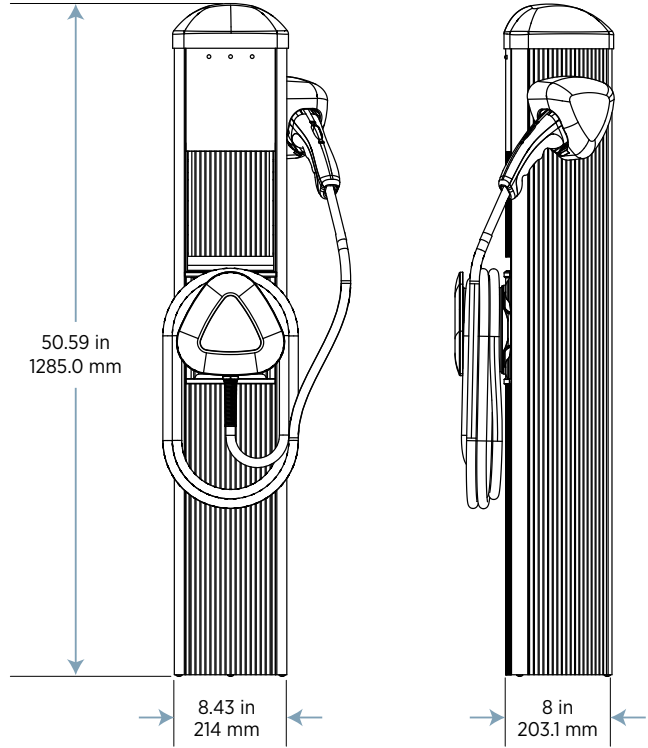
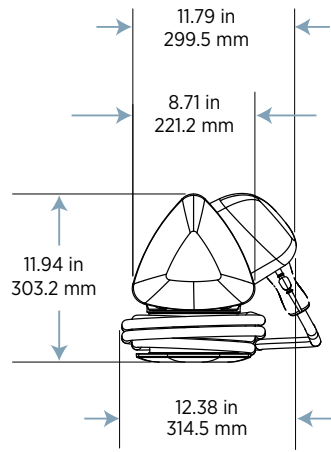
Smart Grid Compatible

Enable Time-Of-Use (TOU) pricing and demand response by integrating with Advanced Metering Infrastructures (AMIs).

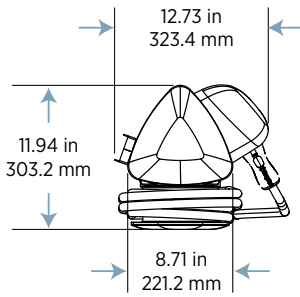


CT2101 Bollard charging station

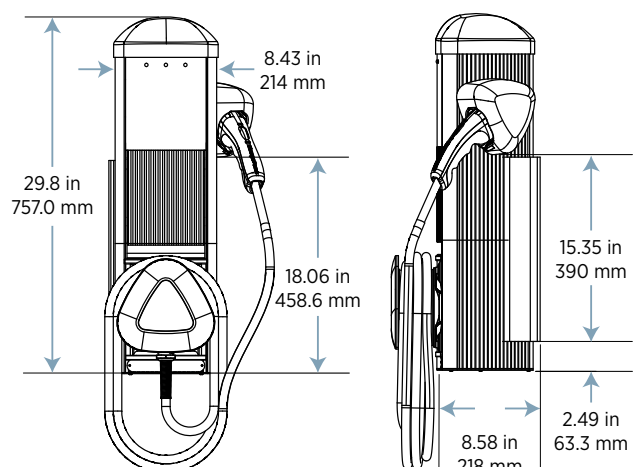
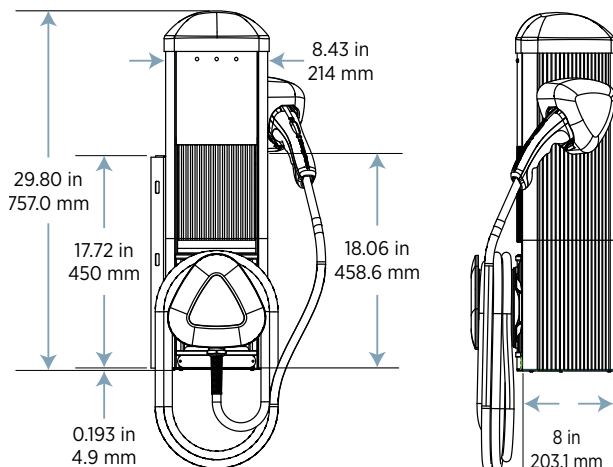
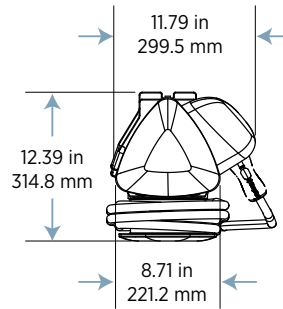
CT2101 Bollard



CT2102 Pole Mount



CT2103 Wall Mount



CT2100 Family Specifications

Electrical Input	Level 1	Level 2
Input Power	2.0 kW	7.2 kW
Input Voltage	120 VAC	208/240 VAC
Input Current	16 A	30 A
Input Power Connections	Line, Neutral, Earth	Line A1, Line A2, Earth
Required Service Panel Breaker	20 A single pole breaker (non-GFCI type) on dedicated circuit	40 A double pole breaker (non-GFCI type) on dedicated circuit
Standby Power	5 W typical	

Electrical Output

Output Charging Power	2.0 kW	7.2 kW
Output Voltage	120 VAC	208/240 VAC
Output Current	16 A	30 A
Output Charging Connector	NEMA 5-20 receptacle	SAE J1772™ EV Connector on 18' (5.48 m) cord.

Functional Interfaces

Card Reader	ISO 15693, 14443	
Ground Fault Detection	5 mA CCID with auto retry (15 minute delay, 3 tries)	20 mA CCID with auto retry (15 minute delay, 3 tries)
Plug-Out Detection	Programmable arm and trip current thresholds	Power terminated per SAE J1772™ specification
Power Measurement	2% @ 15 minute intervals	
Local Area Network	2.4 GHz 802.15.4av	
Wide Area Network	Commercial GPRS or CDMA cellular data network	

Safety and Operational Ratings

Safety Compliance	UL Listed for USA and cUL certified for Canada; Complies with UL 2594, UL 2231-1, UL 2231-2, UL 1998, UL 991, NEC Article 625
Surge Protection	6 kV @ 3,000. In geographic areas subject to frequent thunderstorms, supplemental surge protection is recommended.
EMC Compliance	FCC Part 15 Class A
Operating Temperature	-22°F to 122°F (-30°C to +50°C)
Operating Humidity	95% non-condensing
Enclosure	NEMA 3R
Terminal Block Temperature Rating	100°C (212° F)
Maximum Charging Stations per 802.15.4 Radio Group	24. Each station must be within 150 feet "line of sight" of one gateway station.
Approximate Shipping Weights	Bollard (CT2101) 77 lbs (34 kg) Pole Mount (CT2102) 52 lbs (23 kg) Wall Mount (CT2103) 55 lbs (25 kg)

ChargePoint, Inc. reserves the right to alter product offerings and specifications at any time without notice, and is not responsible for typographical or graphical errors that may appear in this document.



CT2102 Pole Mount charging station



CT2102 Wall Mount charging station

Ordering Information

Specify model number followed by the applicable code(s). The order code sequence is:

Model-Modem-SIM-Warranty

Option		Order Code
Model	Bollard Mount	CT2101
	Pole Mount	CT2102
	Wall Mount	CT2103
Modem	Integral GPRS ChargePoint Gateway Modem	-GPRS
	Integral CDMA ChargePoint Gateway Modem	-CDMA
SIM	USA GPRS SIM	-SIM1
	Canada GPRS SIM	-SIM2
Warranty	Parts Only Extended Warranty <i>n</i> = 2, 3, 4, or 5 for two- to five-year warranties	-EW<i>n</i>
	Parts Only Extended Warranty-Gateway <i>n</i> = 2, 3, 4, or 5 for two- to five-year warranties	-EW<i>n</i>GW

Ordering Code Examples

If ordering this	the ordering code would be
Pole Mount	CT2102
Bollard Mount with CDMA Gateway	CT2101-CDMA
Bollard Mount with GPRS Gateway and Canada GPRS SIM	CT2101-GPRS-SIM2
Wall Mount with USA GPRS Gateway, and 5 year extended parts warranty	CT2103-GPRS-SIM1-EW5GW

For pricing and additional product information, contact the distributor in your area. For a complete list of distributors, go to chargepoint.com.

