

CT4000 Family

ChargePoint® Charging Stations

The CT4000 is the latest generation of ChargePoint charging stations. Refined yet rugged, the CT4000 family sets the industry standard for functionality and aesthetics. A robust cord retraction system comes standard on all CT4000 models to eliminate cords on the ground, and to keep your drivers from having to touch charging cables.

The CT4000 full motion color LCD display instructs drivers and is capable of supporting dynamic updates of custom branded videos and advertisements.

The intelligent power sharing feature of the CT4000 doubles the number of parking spaces served by allowing two charging ports to share a single circuit. Sites with single port EV stations can upgrade to dual port stations without requiring additional electrical services.

All CT4000 models offer one or two standard SAE J1772™ Level 2 charging ports with locking holsters, each port supplying up to 7.2kW.

Available in bollard and wall mount configurations, the CT4000 supports easy installation anywhere. To future proof your investment, all stations are fully software upgradeable over the air.

Corporate Branding and Video Advertising

- + Download full motion colour videos to your stations¹
- + Custom replaceable signage to project your brand
- + Custom “cap” printing available²

Intelligent Power Sharing (patent pending)

- + Reduced installation costs
- + Dynamically share one 32A circuit between two parking spaces
- + Double the number of parking spaces for a given site's power capacity
- + Upgrade a single port station to dual port with no electrical upgrade

Cord Management

- + Keep charging cords off the ground and out of drivers hands
- + Standard on all models
- + Ultra-reliable second-generation gravity operated mechanism
- + Flexible over entire -30°C to +50°C product temperature range

Driver Friendly User interface

- + Instructional video shows how to use the station
- + Multi-language: English, French, Spanish
- + Touch button interface; works in rain, ice and with gloves
- + Backed by ChargePoint's 24/7/365 driver phone support

Energy Measurement and Management

- + Real-time energy measurement
- + 15 minute interval recording
- + Time of Day (TOD) pricing
- + Load shed by % of running average or to fixed power output

The standard *EV Charging Only* sign is easily replaceable with your branding.

The cap of the CT4000 family is also available for custom branding.

The large LCD display provides full motion charging instructions in a clear and simple format. It also allows station owners to deliver advertising messaging.

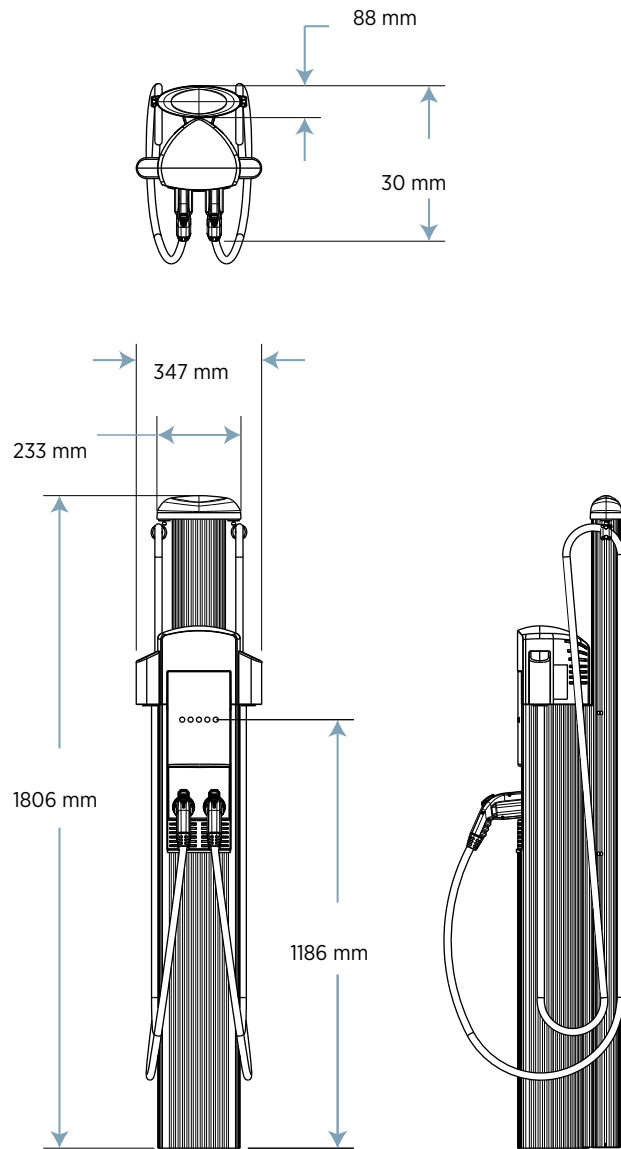
Driver interaction is supported in any weather by five rugged, back-lit buttons with audio feedback.



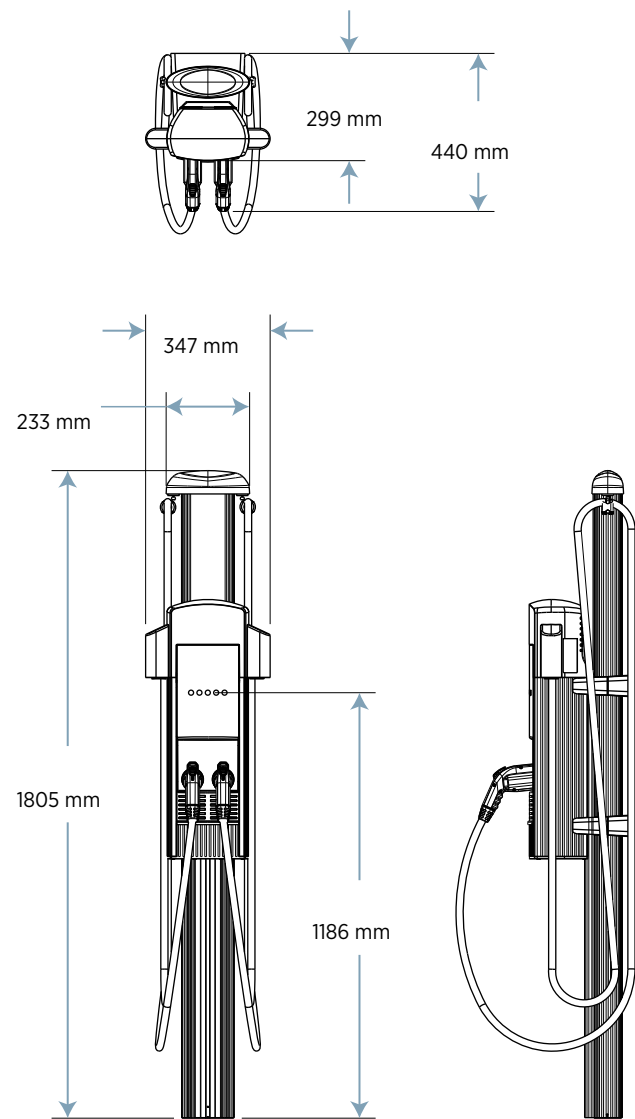
¹ Download fees apply

² Minimum order quantities apply

CT4021 Bollard



CT4023 Wall Mount



CT4000 Family Specifications

Electrical Input	Single Port	Dual Port
AC Power Input Rating - Standard	230VAC 50Hz single phase @ 30A	230VAC 50Hz single phase @ 30A x 2
AC Power Input Rating - Power Sharing	n/a	208/240 VAC 60Hz single phase @ 32A
Input Power Connections - Standard	One 32A circuit	Two independent 32A circuits
Input Power Connections - Power Sharing	n/a	One 32A circuit
Required Service Panel Breaker - Standard	RCBO rated at 32A, Type B, 30 mA trip current	RCBO rated at 32A, Type B, 30 mA trip current x 2
Required Service Panel Breaker - Power Sharing	n/a	RCBO rated at 32A, Type B, 30 mA trip current
Wiring - Standard	3-wire (L, N, Earth)	5-wire (L1, N1, L2, N2, Earth)
Wiring - Power Sharing	n/a	3-wire (L, N, Earth)
Standby Power	5W typical	

Electrical Output

AC - Standard	6.9kW (230VAC @ 30A)	6.9kW (230VAC @ 30A) x 2
AC - Power Sharing	n/a	6.9kW (230VAC @ 30A) x 1 OR 3.7kW (230VAC @ 16A) x 2

Functional Interfaces

Plug(s) Type	SAE J1772™	SAE J1772™ x 2
Charging Cable Length	18' (5.5 meters)	18' (5.5 meters) x 2
Overhead Cable Management System	Yes	Yes
Card Reader	ISO 15693, 14443	
Locking Holster	Yes	Yes x 2

Safety and Connectivity Features

Plug-Out Detection	Power terminated per SAE J1772™ specifications
Power Measurement Accuracy	+/- 2% from 2% to full scale (32A)
Power Report/Store Interval	15 minute, aligned to hour
Local Area Network	2.4 GHz Wi-Fi (802.11 b/g/n)
Wide Area Network	Commercial GPRS cellular data network

Safety and Operational Ratings

Enclosure Rating	IP44
Safety Compliance	IEC 61851-1, -22; IEC 60529
Surge Protection	6 kV @ 3000 A per IEC 1000-4-5. In geographic areas subject to frequent thunder storms, supplemental surge protection at the service panel is recommended.
EMC Compliance	AS/NZS CISPR22:2009
Operating Temperature	-22°F to 122°F (-30°C to +50°C)
Operating Humidity	up to 85% @ 122°F (+50°C) non-condensing
Non-Operating Humidity	up to 95% @ 122°F (+50°C) non-condensing
Terminal Block Temperature Rating	221°F (105°C)
Maximum Charging Stations per 802.11 Radio Group	10. Each station must be located within 150 feet (45 metres) "line of sight" of a gateway station.

ChargePoint, Inc. reserves the right to alter product offerings and specifications at any time without notice, and is not responsible for typographical or graphical errors that may appear in this document.

CT4021 Bollard charging station



Ordering Information

Specify model number followed by the applicable code(s).
The order code sequence is:

Model-Options-Warranty

Option		Order Code
Model	Single Port Bollard Mount	CT4011
	Dual Port Bollard Mount	CT4021
	Single Port Wall Mount	CT4013
	Dual Port Wall Mount	CT4023
Warranty	Parts Only Extended Warranty - 2, 3, 4, or 5 year	CT4000-EWn*

* Substitute *n* for the duration of the warranty (2, 3, 4, or 5 year)

Order Code Examples

If ordering this	the order code is
Dual Port Bollard Mount USA Gateway Station	CT4021-GW1
Single Port Wall Mount Station with 5 Year Warranty	CT4013 CT4000-EW5
Dual Port Wall Mount Canada Gateway Station with 2 Year Warranty	CT4023-GW2 CT4000-EW2

CT4023 Wall Mount charging station



ChargePoint Pty Ltd
74 Mentmore Ave | Rosebery NSW | 2018 AU
1300 300 885
chargepoint.com.au

Copyright © 2013 ChargePoint, Inc. All rights reserved. CHARGEPOINT is a U.S. registered trademark/service mark, and an EU registered logo mark of ChargePoint, Inc. All other products or services mentioned are the trademarks, service marks, registered trademarks or registered service marks of their respective owners. PN 73-001020-01 Rev 4

